



Designed to bring medical-grade seating into a home environment, the Home Care Cliner (HCC) is a value-based, quality solution for patients who can receive treatment in their own residence.

For a more home-like aesthetic, the HCC comes with a traditional push-back recline, left side table, and pedestal feet. There is a release handle on the back of the recliner for caregivers to engage should an acute reaction occur and Trendelenburg is needed.

Available in a neutral color, the HCC will compliment any décor.

STANDARD FEATURES

12.9° Trendelenburg

Stationary arms

Gray fold-away table (left side only)

Pedestal feet

Push back recline

Vinyl color - Lark (19)



Left side table



Trendelenburg handle



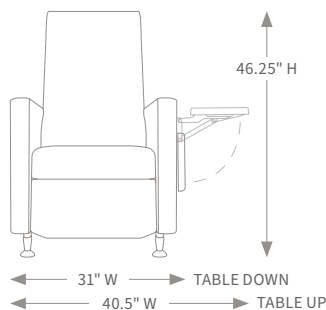
Pedestal feet



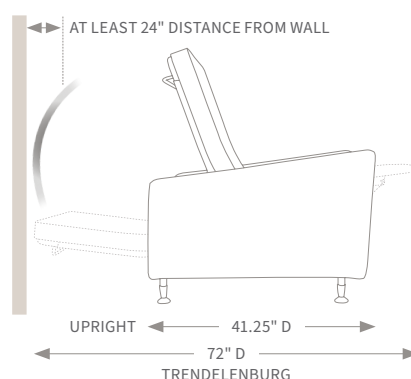
Lark (19)

SPACE REQUIREMENTS

FRONT VIEW



SIDE VIEW



MODEL NUMBER

6H04

SPECIFICATIONS

Weight capacity	350 lbs.
Back height (from floor/seat)	46.25"/32"
Overall width (table down/up)	31"/40.5"
Seat width	21.25"
Seat height/depth	18.5"/19.5"
Arm height (from floor)	27.25"
Overall upright depth	41.25"
Trendelenburg depth	72"

Information contained in this literature is based on the latest product data available at the time of printing. Swatches are enlarged to show detail. Photography, artwork, text and specifications are subject to change. Due to photographic and printing processes, product colors in this brochure are not necessarily accurate. Champion Manufacturing Inc. reserves the right to make changes to colors, materials, prices, standards, options, equipment and any specification at any time without notice or obligation. Contact Champion direct for additional information and the latest specifications.