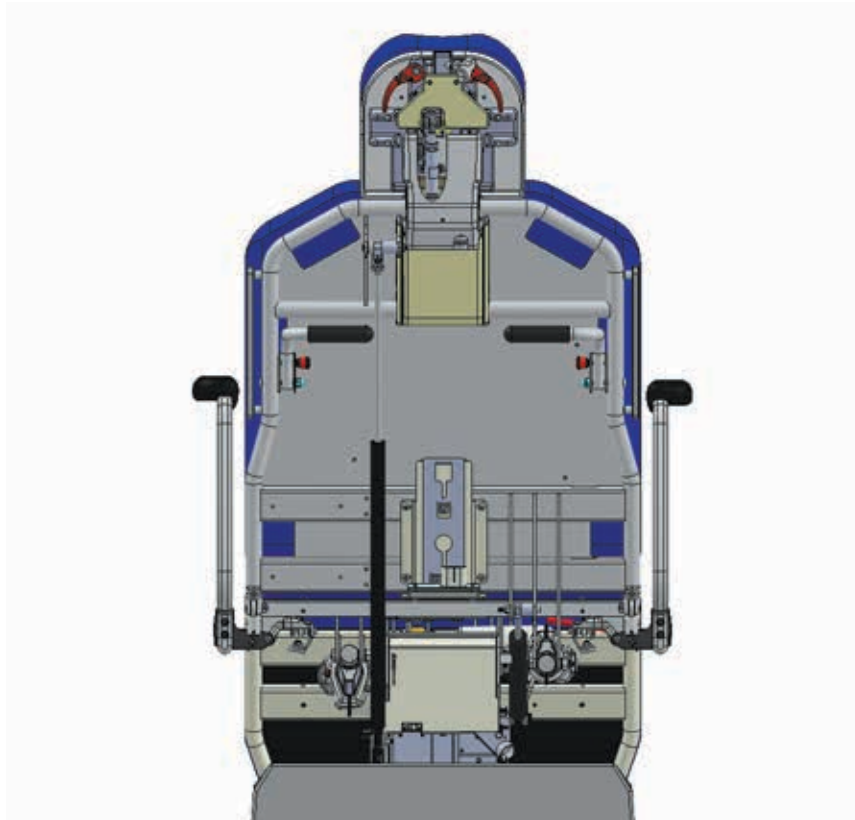


**FOR TMM4, TMM5, TMM4 PLUS, TMM5 PLUS,  
TMM4-X, TMM5-X, TMM4 PLUS-X,  
AND TMM5 PLUS-X**



**IMPORTANT - DO NOT DISCARD THESE INSTRUCTIONS.  
KEEP FOR FUTURE REFERENCE.**

**This page has been intentionally left blank.**

## TABLE OF CONTENTS

IMPORTANT NOTES ABOUT THIS MANUAL .....	4
SPECIAL NOTES - SIGNAL WORDS.....	4
TOOLS REQUIRED.....	5
PARTS INCLUDED.....	5
REMOVING AN OLD PUSH HANDLE ASSEMBLY .....	6
INSTALLING A NEW PUSH HANDLE ASSEMBLY .....	7
PUSH HANDLE PLUNGER KNOB INSTALLATION .....	9
REMOVING AN OLD PLUNGER KNOB .....	9
INSTALLING A NEW PLUNGER KNOB .....	10
UPHOLSTERY CARE AND CLEANING INSTRUCTIONS .....	11
PREVENTATIVE MAINTENANCE.....	11

# TMM PUSH HANDLE FIELD INSTALLATION AND USAGE INSTRUCTIONS

## IMPORTANT NOTES ABOUT THIS MANUAL

This Field Installation and Usage Instruction document is designed to assist you with the installation of the TransMotion by Winco product. Read this document thoroughly before using the equipment or performing service or maintenance. If you are unable to understand the warnings, cautions, or instructions, contact Winco Customer Service before attempting to operate or service the equipment, otherwise injury or damage may result.

To assure safe operation of this device, it is essential that methods and procedures be established for educating and training staff on the safe and effective operation of the product.

Winco, Mfg., LLC reserves the right to change specifications without notice.

The information contained in this document is subject to change without notice.

Specifications listed are nominal and may vary slightly from unit to unit due to tolerance variations or power supply variations.

Photographs and illustrations contained within this document may not depict exactly the model you have. This document can cover many closely related models.

## SPECIAL NOTES - SIGNAL WORDS

Signal words are used in this manual and apply to hazards which could result in injury or property damage. The following is a definition of those signal words as used in this document:



### **DANGER**

Indicates an imminently hazardous situation which, if not avoided, will result in death or serious injury.



### **WARNING**

Indicates a potentially hazardous situation which, if not avoided, could result in death or serious injury.



### **CAUTION**

Indicates a potentially hazardous situation which, if not avoided, may result in minor or moderate injury. It may also be used to alert against unsafe practices or potential property damage hazards.



### **IMPORTANT**

Provides important information, makes special instructions clearer, or provides service personnel information to make maintenance easier.

# TMM PUSH HANDLE FIELD INSTALLATION AND USAGE INSTRUCTIONS

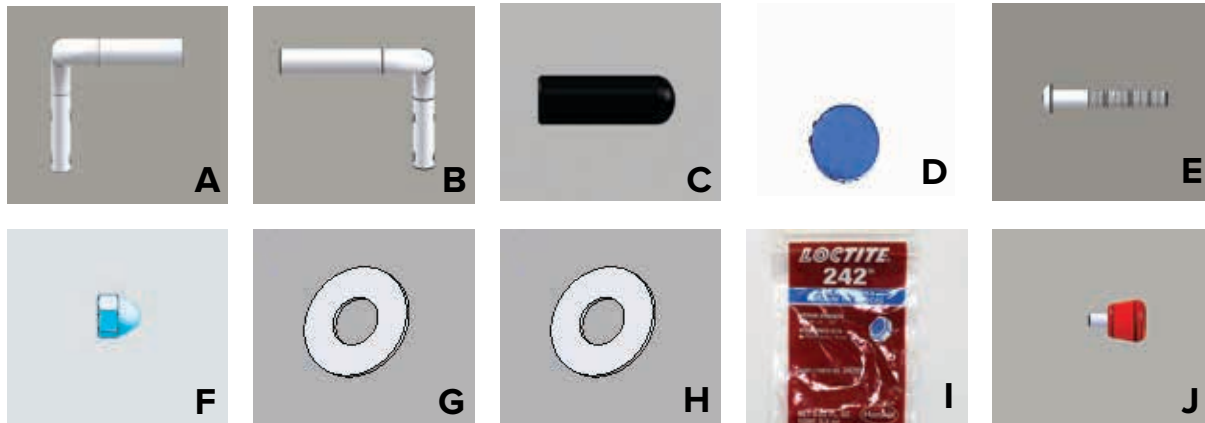
## TOOLS REQUIRED

- (1) 3/16" Allen Wrench
- (1) 1/2" Socket Wrench
- (2) Thin 3/8" Open End Wrenches

## PARTS INCLUDED

### 1. Push Handle Assembly (TMA227-15)

PART NUMBER	DESCRIPTION	QUANTITY	IMAGE
TMM-374-06	TMM5 PUSH BAR ASSEMBLY - LEFT	1	A
TMM-373-06	TMM5 PUSH BAR ASSEMBLY - RIGHT	1	B
TMM-406-11	PUSH BAR GRIP	2	C
TMM-489-11	ADHESIVE BACKED BUMPER	2	D
TMM-080-04	SHOULDER SCREW 5/16 X 1-3/4"	2	E
TMM-165-04	HEX ACORN LOCKING NUT 5/16"	2	F
TMM-1023-04	NYLON WASHER 0.328"	4	G
TMM-194-04	NYLON WASHER 3/8"	2	H
TMM-2439-04	LOCK-TITE	1	I
TMM-057-12	PLUNGER KNOB	2	J



# TMM PUSH HANDLE FIELD INSTALLATION AND USAGE INSTRUCTIONS

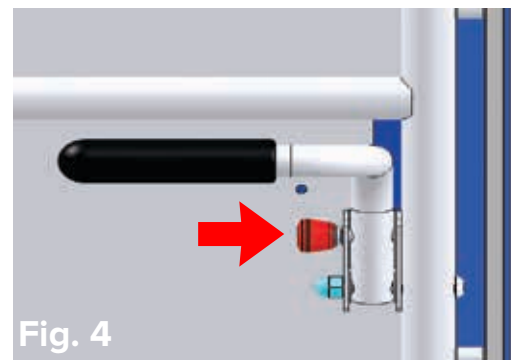
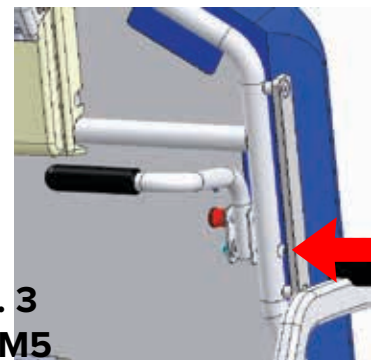
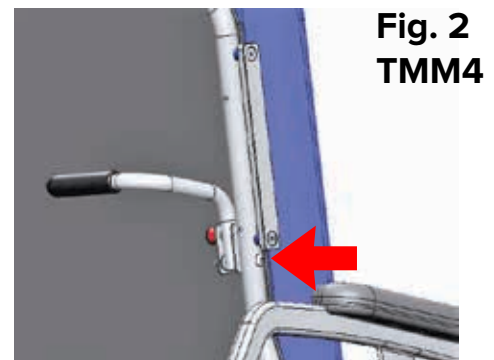
## REMOVING AN OLD PUSH HANDLE ASSEMBLY

1. Using the pendant, adjust the device into the chair position (**Fig. 1**).
2. Locate the bolt connecting the push handle to the back frame. The position of this bolt will be slightly different on the TMM4 and TMM5 Models (**Fig. 2** and **Fig. 3**).

**NOTE: FOR THE TMM5 MODEL CHAIR, THE BOTTOM BOLT OF THE SURGICAL BAR WILL NEED TO BE REMOVED AND THE SURGICAL BAR WILL NEED TO BE MOVED OUT OF THE WAY BEFORE CONTINUING TO THE NEXT STEP. THIS WILL ALLOW ACCESS TO THE BOLT CONNECTING THE PUSH HANDLE TO THE BACK FRAME (FIG. 3).**

3. Using the 3/16" allen wrench and 1/2" socket wrench, remove the bolt and fastener nut connecting the push handle to the back frame (**Fig. 4**).
4. Once the bolt and fastener nut are removed, locate the red plunger knob and pull to release the old push handle from the back frame (**Fig. 4**).

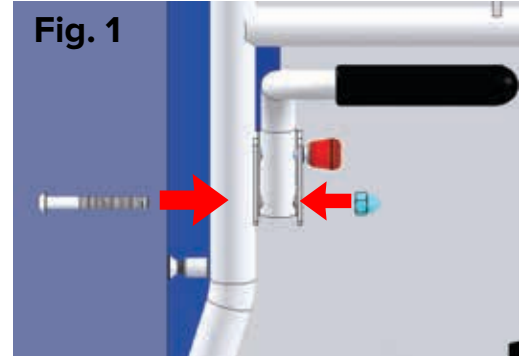
5. Repeat this entire process on the opposite side of the device.



## INSTALLING A NEW PUSH HANDLE ASSEMBLY

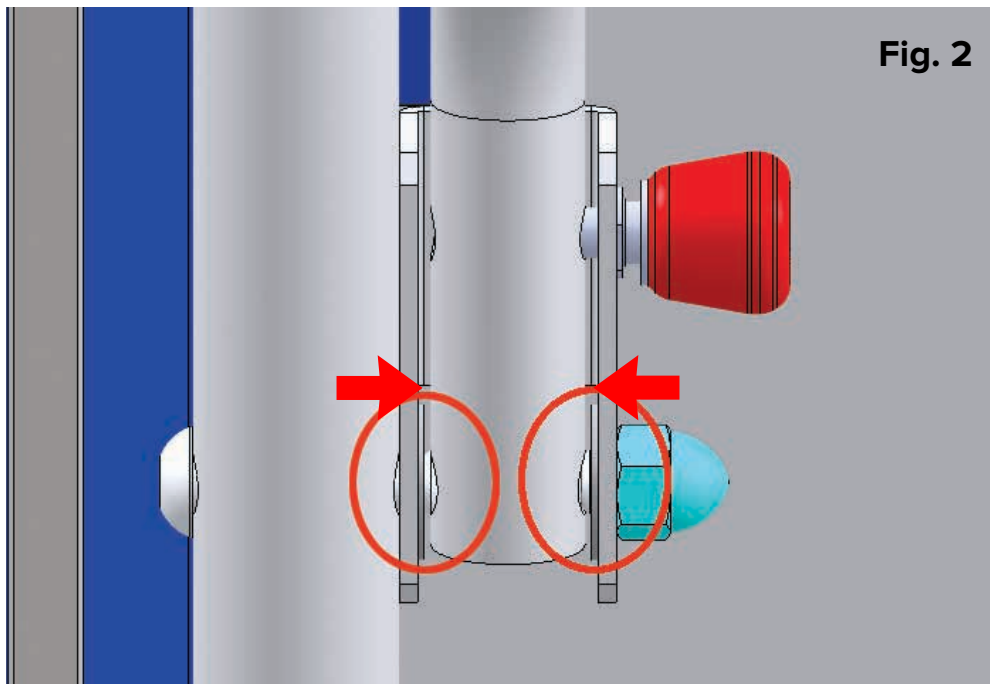
NOTE: FOR A TMM5 MODEL CHAIR, THE BOTTOM BOLT OF THE SURGICAL BAR WILL NEED TO BE REMOVED USING A 3/16" ALLEN WRENCH AND THE SURGICAL BAR WILL NEED TO BE MOVED OUT OF THE WAY BEFORE INSTALLING A NEW PUSH HANDLE ASSEMBLY. SEE PAGE 6 FOR IMAGES SHOWING DIFFERING BOLT LOCATIONS.

**NOTE:** If there was never a push handle assembly installed on the device, the red plunger knob will need to be installed first. See "Push Handle Plunger Knob Installation" on page 9.



1. Align the bolt with the holes of the back frame and insert through the backrest frame tube. Slide **one (1)** thicker nylon washer (closest to the outside of the chair) onto the bolt, followed by the push handle assembly tube, and **one (1)** or **two (2)** thinner nylon washer(s) on the opposite side (closest to the inside of the chair) of the bolt. Hand thread the cap nut onto the bolt (**Fig. 1**).

**NOTE:** The correct placement of **two (2)** or all **three (3)** nylon washers should be as indicated. Depending on the need for adjustment, there should be either **one (1)** thinner nylon washer on the inside of the chair with **one (1)** thicker nylon washer on the outside of the chair OR **two (2)** thinner washers on the inside of the chair with **one (1)** thicker washer on the outside of the chair (**Fig. 2**).

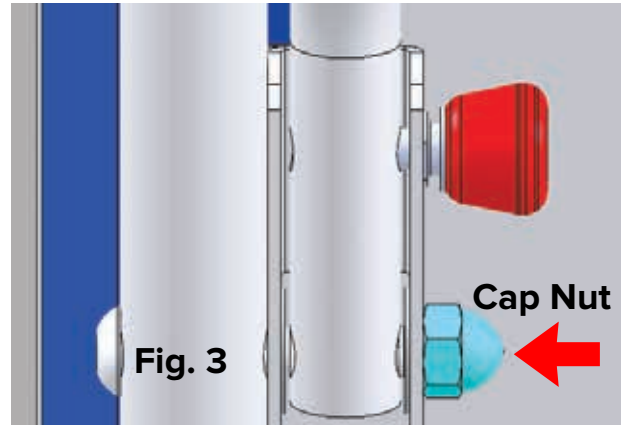


INSTRUCTIONS CONTINUED ON NEXT PAGE

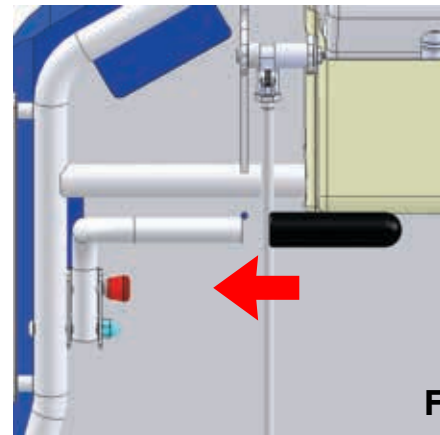
# TMM PUSH HANDLE FIELD INSTALLATION AND USAGE INSTRUCTIONS

## INSTALLING THE NEW PUSH HANDLE ASSEMBLY (CONTINUED)

2. Securely tighten the cap nut onto the bolt using the 3/8" allen wrench and 1/2" socket wrench (**Fig. 3**).

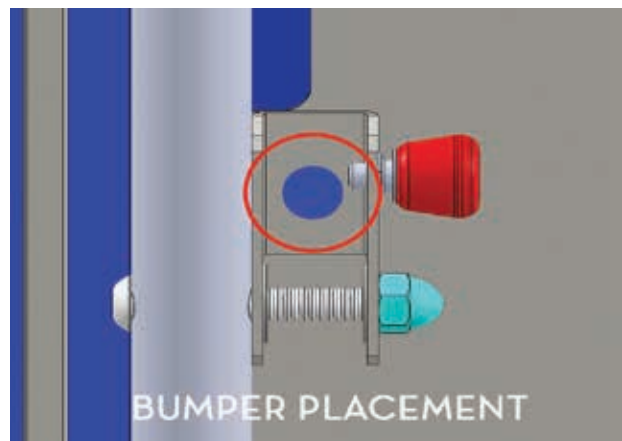


3. Slide **one (1)** push bar grip onto the push handle assembly (**Fig. 4**).



4. If the device does not already have one installed, add **one (1)** adhesive backed bumper to the back of the device as shown (**Fig. 5**). If the device already has one installed, you may remove the old one and replace it with a new one if necessary.

5. Repeat this entire process on the opposite side of the device.

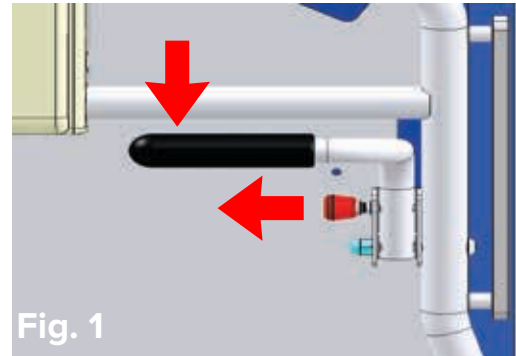




## PUSH HANDLE PLUNGER KNOB INSTALLATION

### REMOVING AN OLD PLUNGER KNOB

1. Pull knob to release handle. Swing handle down and out of way (**Fig. 1**).



2. Place one 3/8" open end wrench near the knob. Pull the spring loaded inner section out with your fingers (**Fig. 2**).



3. Use an additional 3/8" open end wrench to hold the piece if you cannot grip it with your fingers. Loosen knob by turning the wrench near the knob and remove (**Fig. 3**).



# TMM PUSH HANDLE FIELD INSTALLATION AND USAGE INSTRUCTIONS

## INSTALLING A NEW PLUNGER KNOB

1. Pull the inner rod out of the handle plunger knob (**Fig. 1**).



**Fig. 1**

2. Slide the 3/8" open end wrench onto the flat grooves of the inner rod to hold it in place. Either unscrew the back portion counter clockwise with your fingers or use the 2nd 3/8" open end wrench to remove the inner rod from the plunger knob (**Fig. 2**).



**Fig. 2**

3. Apply Locktite to the inner rod threading.



**Fig. 3**

4. Push the inner rod into the mounting hole (**Fig. 3**).

5. Leaving the 3/8" open end wrench in place to keep the spring extended, screw the inner rod into place clockwise with fingers. Securely tighten the plunger knob onto the bracket with the 2nd 3/8" open end wrench (**Fig. 4**).



**Fig. 4**

## UPHOLSTERY CARE AND CLEANING INSTRUCTIONS

Proper care is essential in ensuring the durability and reliability of TransMotion Medical upholstery. In general, all products should be:

1. Cleaned
2. Disinfected (in accordance with facility policy)
3. Rinsed
4. Allowed to air dry

It is important to note that the terms “disinfecting” and “cleaning” should not be used interchangeably. Disinfectants alone will not provide adequate cleaning since they do not have the appropriate properties to cut grease or oil and remove grime, hair or skin oils. The appearance, feel and performance of your upholstery may diminish if not cleaned properly.

### Cleaning:

Remove hair, grime and body oils. Your upholstery should be cleaned on a regular basis with a damp cloth soaked in a mild soap and water solution. Avoid harsh detergents or chemicals that could damage the finish of your product. If disinfecting with manufacturer approved chemicals or bleach, the upholstery **MUST** be wiped off using clean water on a damp cloth and allowed to air-dry as a final step. Failure to rinse upholstery with clean water can result in a build-up of residues that, over time, may lead to drying, cracking or other undesirable changes to appearance, feel and performance.

Retain all instructional tags for future use.

Contact the manufacturer of the fabric used in your upholstery for a current list of approved disinfectants. TransMotion Medical Customer Care can assist with identifying which upholstery was used with your Stretcher-Chair.

For customer supplied and non-standard materials, please refer to the individual manufacturer’s cleaning instructions.

## PREVENTATIVE MAINTENANCE

To ensure proper operation, this service part should be inspected and maintained as described below:

COMPONENT	FREQUENCY	PROCEDURE	TOOL
All fastened joints	Every 3 months	Inspect all fasteners to ensure proper fit & tightness. Retighten as needed.	$\frac{3}{16}$ " Allen wrench & $\frac{1}{2}$ " socket wrench

Copyright © 2020 Winco Mfg., LLC



## CONTACT US

To arrange a demonstration or to speak with one of our associates, please feel free to contact us at:  
**800-237-3377 | [WincoMfg.com](http://WincoMfg.com) | 5516 SW 1st Lane, Ocala, FL 34474 | [Info@WincoMfg.com](mailto:Info@WincoMfg.com)**