

8600-8700

Adjusting Table w/Armrests



CUSTOMER INSTRUCTIONS

*PLEASE READ AND FAMILIARIZE YOURSELF WITH ALL INSTRUCTIONS BEFORE USING THIS PRODUCT. If you have trouble understanding these instructions contact your dealer or Winco customer support, (800) 237-3377 before attempting to use this product; otherwise injury may occur.*

***Winco assumes no responsibility for damage or injury caused by improper assembly, installation, use, or maintenance of these products.***



1. READ AND FOLLOW ALL DIRECTIONS.
2. NEVER stand on table or INJURY MAY OCCUR.
3. NEVER allow user to sleep unattended on table or INJURY MAY OCCUR.
4. NEVER leave an unconscious user unattended on table or INJURY MAY OCCUR.
5. DO NOT use table for transporting user in or with ANY type of vehicle or trailer. Winco tables have not been tested or approved for use by an occupant in any type of vehicle or trailer.
6. NEVER leave an infant or child unattended on table or INJURY MAY OCCUR.
7. DO NOT allow children to play on or with the table or INJURY MAY OCCUR.
8. DO NOT put hands, feet or clothing into any openings when changing position of user on table. Attendant MUST confirm that users hands and feet are safe while changing positions or INJURY MAY RESULT.
9. Periodically, recheck tightness of all nuts, bolts and screws.
10. USE ONLY WINCO AUTHORIZED REPLACEMENT PARTS.
11. NEVER EXCEED the recommended **weight capacity of 400 lbs.** (181.4 kg).
12. SAVE THESE INSTRUCTIONS for future reference and training.

**8600-8700 Weight Capacity = 400 lbs. (181.4 kg.)**

Tools needed:

- Phillips-head screwdriver
- Two (2) 7/16" wrenches (multiple size wrenches included)
- Scissors or box cutter
- Cardboard shipping container (stays under table during assembly to protect upholstery)
- - If using powered tools always start hardware together by hand first & wear safety goggles

*PLEASE READ AND FAMILIARIZE YOURSELF WITH ALL INSTRUCTIONS BEFORE PROCEEDING WITH ASSEMBLY*

1. After checking your product for any shipping damage, table needs to be upside-down on cardboard or protective surface. Remove all packing material and hardware that was secured for shipping. Cut tape on corners of box so that cardboard will lay flat while you assemble table.

**Leg Installation**

2. Use a 7/16" wrench to remove **(4) ¼-20 x 3" Hex-head Bolts** from each table frame rail. You will use these same bolts to install the legs in following steps.
3. Before you align the **(2) Welded Leg Assemblies** with holes in **Table Frame Rails**, see parts guide for direction of angled legs and read below.

**PLEASE READ:** *On the "face-slot-end" of the table:*

One end of **Face Paper Cutter** will need to swing into position on top of the **Leg Assembly** frame rail bracket

You will need to align the hole in the un-attached end of the **Face Paper Cutter** with the **Leg Assembly** hole and **Frame Rail** hole.

4. Align the (2) **Welded Leg Assemblies** with holes in **Table Frames**. See picture for direction of angled legs. Then, insert the (previously removed) (8) ¼-20 x 3" hex head bolts and leave them slightly loose to help fit the **Welded Cross Brace Assembly** in next steps.
5. Assemble **Welded Cross Brace Assembly** to **Welded Leg Assemblies** (see next NOTE) using (4) ¼-20 x 1-½" carriage bolts and (4) ¼-20 nylon-locking nuts. (heads of screws should face table ends for a better appearance) Apply lock nuts and **tighten with a wrench.**

**NOTE:** **Welded Cross Brace Assembly** is only welded on three sides at each end. Position the **Welded Cross Brace Assembly** so that un-welded side is facing tabletop. (For a better appearance.)

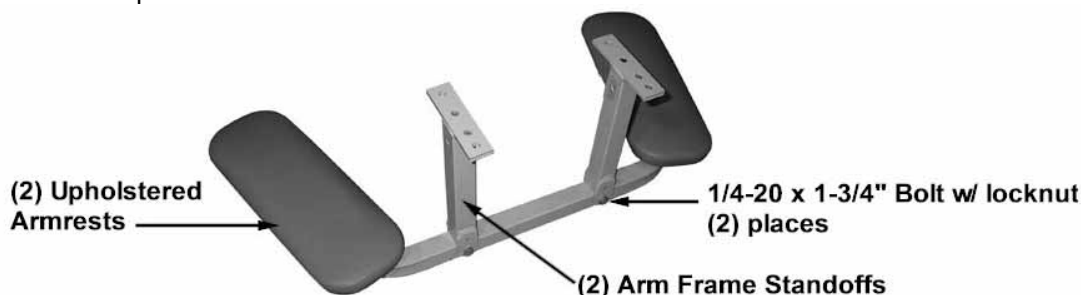
6. **Tighten all of the (8) Hex bolts that you left slightly loose in above steps, with a wrench.** This will secure the **Welded Leg Assemblies** to the **Table Frames**.

### **Table Components Installation**

7. Position and install the **Face Paper Holder** to bottom of **Upholstered Top** using a Phillips-head screwdriver and two (2) 1" drywall screws. Locate the holder on the opposite side of face slot from the **Face Paper Cutter**. (The **Face Paper Holder** will be centered with face slot area.)

### **Arm Frame Assembly**

8. Assemble the two **Arm Frame Standoffs** to the **Arm Frame** using (2) 7/16" wrenches and (2) ¼-20 x 1-¾" bolts and locknuts. See picture below.



9. Install the complete **Arm Frame Support Assembly** using a Phillips-head screwdriver and (4) ¼-20 x 1" Phillips-head screws that are pre-installed in the threaded holes on table bottom. **(see complete table assembly picture)**
10. Using at least two people, turn table upright.
11. If table is not level, loosen one or two **Glide Feet** (leveling feet) and adjust until table is level.

### **Optional Shelf Installation**

12. Double-sided tape has been installed on the of the **Welded Cross Brace Assembly**.
13. Before removing paper on tape, "test fit" the shelf. Shelf should be centered on the **Welded Cross Brace**.
14. Once you are certain of where you will position the shelf, peel off the paper to expose adhesive.

*After peeling paper from adhesive tape:  
Use damp sponge to moisten tape to allow shelf to be adjusted during install.  
Once tape is dry shelf will stay in place.*

15. Carefully position shelf in place on adhesive.

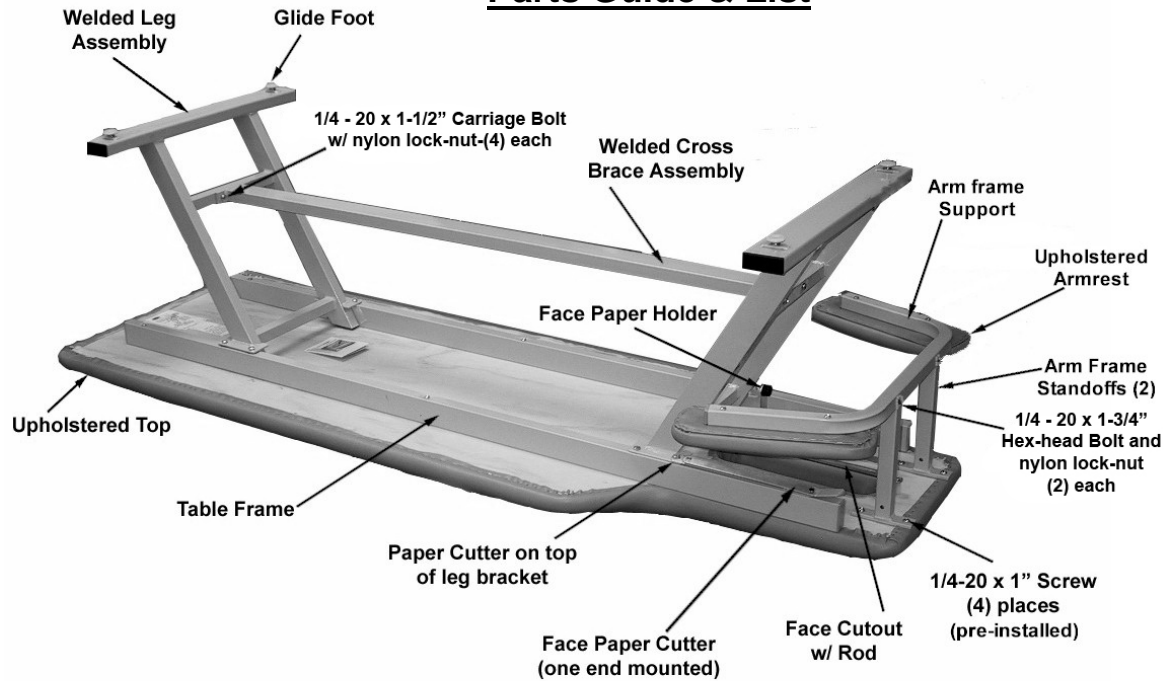
**Wrinkles in Vinyl** – Storage and shipping can cause wrinkles of the vinyl on your Winco table. This is normal. Please allow 1-2 weeks at room temperature (approx. 70 degrees) to allow for vinyl to expand back to original appearance.



**WARNING**

***Do not over tighten nuts and bolts. Periodically check all fasteners for tightness.***

## Parts Guide & List



**Items factory installed on table:**

- Table Frame Rails
- Face Slot Tube
- Paper Cutter
- Upholstered Top

**Qty.**

- 2
- 1
- 1
- 

**Sizing chart – Part number**

- 221400
- 219120
- 219160
- Call for special part number

**1/4-20 x 3" Hex-head Bolt**  
front & rear leg assys. to table frame rails

8



566408

**1/4-20 x 1" Screw**  
arm-frame assembly to table bottom

4



566517

**Items included with table (not factory installed):**

- Welded Leg Assembly (Std.Ht. 22")
- Glide Feet (leveling feet)
- Rectangular insert caps (black)
- Glide Foot Insert

- 2
- 4
- 4
- 4

- 221210
- 500350
- 701008
- 221235

Special-height Leg Assembly

Call for special part number

Welded Brace Assembly

1

221300

Arm Frame Assembly

805-860-870 Arm Frame

1

222605

KD Standoff assy. welded

2

222630

Upholstered Armrest

2

Call for special part number

Shelf Option (870S)

1

267115

Face Paper Holder

1

219100

**1/4 - 20 x 1 1/2 carriage bolt**  
welded brace assy. to front & rear leg assemblies

4



566401

**#6 x 1" "Drywall type" screw**  
paper holder to table

2



566540

**1/4-20 nylon-locking nut**  
(4) welded brace assy. to front & rear leg assemblies  
& (2) arm support to standoffs

6

566204



**1/4-20 x 1-3/4" Hex-head Bolt**  
(2) arm support to standoffs

2

566404





## LIMITED WARRANTY

• 5516 SW 1<sup>st</sup> Lane • Ocala, FL 34474  
 • Phone (352) 854-2929 • (800) 237-3377  
 • Fax (352) 854-9544  
 • www.wincomfg.com  
 • customerservice@wincomfg.com

### TERMS

*Winco Mfg., LLC. warrants this product to be free of manufacturer's defects in material and workmanship, provided that the product is used according to normal operating conditions and proper maintenance intended by manufacturer. This warranty is available only to the original retail purchaser, is non-transferable and commences on the date of retail sale; proof of purchase required.*

**Limited One Year Complete Product Warranty:** Winco Mfg., LLC warrants the complete product for one (1) year. At Winco Mfg., LLC. sole discretion, it may repair or replace any components freight free that are found to be defective during the first year. *Winco Mfg., LLC. shall not be liable for any labor, or any other costs incurred as a result of or in conjunction with a warranty claim.*

**Limited Three Year Warranty:** Winco Mfg., LLC warrants the recliner mechanisms, electrical components, vinyl [from cracking or delaminating] pressurized gas springs, when new, for a period of three (3) years. At Winco Mfg., LLC. sole discretion, it may repair or replace components found to be defective. *Winco Mfg., LLC. shall not be liable for any labor, shipping or any other costs incurred as a result of or in conjunction with a warranty claim.*

**Limited Lifetime Chair Frame Warranty:** Winco Mfg., LLC warrants the steel chair frame, when new, for the lifetime of the original purchaser. This limited warranty does not apply to paint/finish or any components attached to the frame such as; upholstery, foam, casters, mechanisms or related parts that are covered under above warranties. *Winco Mfg., LLC shall not be liable for any labor, shipping or any other costs incurred as a result of or in conjunction with a warranty claim.*

The purchaser's exclusive remedy under this warranty shall be limited to such repair or replacement of defective components at Winco Mfg., LLC sole discretion. For warranty service, contact the dealer that the product was originally purchased from or Winco Mfg., LLC directly.

### EXCLUSIONS

There are no other warranties, conditions, representations or guarantees, express or implied, made or intended by Winco Mfg., LLC and all other warranties, conditions, representations or guarantees including any warranties, conditions, representations or guarantees under any Sale of Good Act or Like legislation or statute is hereby expressly excluded. Any and all other implied warranties shall not extend beyond the duration of the express warranty. Liability for incidental or consequential damages is excluded to the extent permitted by law. Some states do not allow the exclusion or limitation so the above limitation or exclusion may not apply to you. This warranty gives you specific legal rights. In addition you may also have other rights, which vary from state to state.

### GENERAL PROVISIONS

No warranty herein contained or set out shall apply when damage or repair is caused by any of the following:

1. Damage in transit.
2. Accident, alteration, abuse or misuse of product ie. exceeding weight capacities, applying inordinate pressure to footrest/leg rest, use in Mental Health facilities or like institutions.
3. Fire, water damage, theft, war, riot, hostility, acts of God.

*Examples contained in this list are not to be construed as all-inclusive.*

