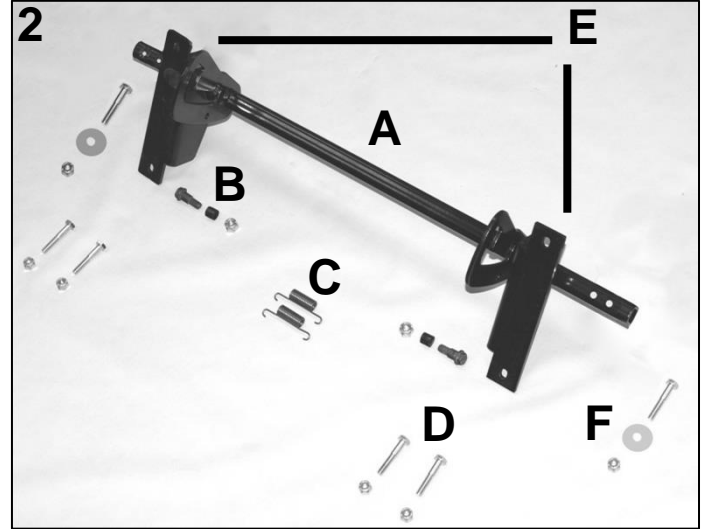
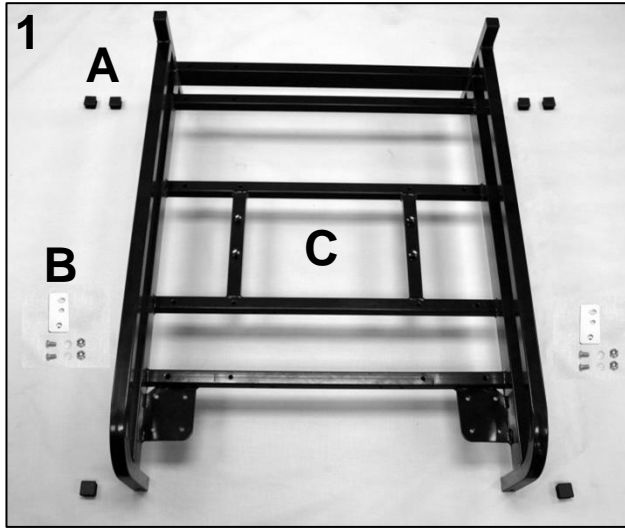


PARTS LIST

Image Number	Note	Part Number	Description	QTY per Product
1	A	400300	CASTER, 3" RIGID TWIN WHEEL W/FLAT MOUNTING PLATE, ZINC PLATED	2
1		566504	SCREW-MACH 1/4-20 X 3/4 RND PHILLIP M/S ZINC	4
1		566204	NUT-1/4-20 HEX NYLON LOCKNUT ZINC	4
2A		206286B	CASTER MOUNT PLATE, FORMED, BLACK	2
2B		566519	SCREW-MACH 1/4-20 X 2 1/2 PAN PHILLIP M/S ZINC	4
2C		566506	SCREW-MACH 1/4-20 X 1 1/2 RND PHIL M/S ZINC	4
2B,2C		566204	NUT-1/4-20 HEX NYLON LOCKNUT ZINC	8
2D		250055	HEX ROD, REAR	1
2E		566607	1/4-20 X 1" FLAT MACH SCREW, ZINC	8
2F		206290B	WELDED, CASTER MOUNT REAR, BLACK	2
2F		566609	M6-1.0 x 10mm DIN 933 Class 8.8 Zinc Hex Cap Screw	2
2G	B	400310	CASTER, 3" CENTRAL LOCKING TWIN WHEEL	2
2H		250050TS	WELDED,CASTER BRAKE PEDEL W/"BRAKE" LOGO SILK SCREEN	1
2H		566610	1/4"-20 x 3/8" Type B Regular Thumb Screw, No Shoulder, Zinc	1

NOTES

Note	Description
A	These casters are installed on front of chair.
B	These casters are installed on rear of chair.

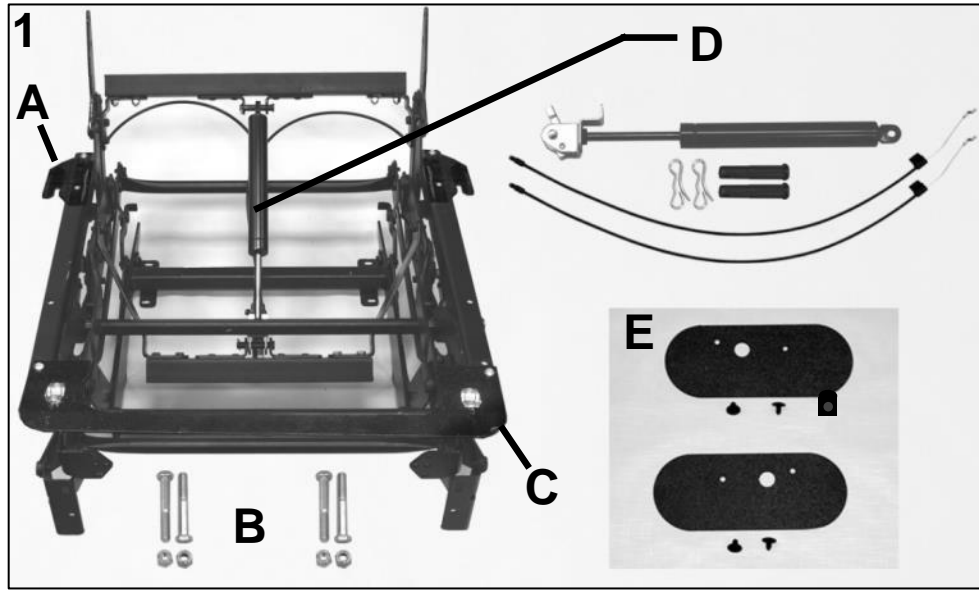


PARTS LIST

Image Number	Note	Part Number	Description	QTY per Product
1A		700700	SQ 1" RIBBED CAP, BLACK	6
1B		202830	LATCH PLATE, FIXED ARM (690 STYLE)	2
1B		566592	1/4-20 X .88 SOCKET BUTTON HEAD CAP SCREW, ZINC	4
1B		566301	WASHER-1/4 INT. TOOTH LOCKWASHER ZINC	4
1B		566204	NUT-1/4-20 HEX NYLON LOCKNUT ZINC	4
1C		250001B	WELDED, MAIN FRAME (500 STYLE)	1
2		200628K	5001 TILT-TUBE ASSEMBLY KIT	1
2A	A	400628	TILT TUBE WELD ASSEMBLY, 624 MECH	1
2A	A	700140	HANDLE BUSHING, 624 MECH	2
2B	B	506110	SHOULDER BOLT, 5/16-18 HEX 3/8-.43, 624 MECH	2
2B	B	700624	SOFT STOP SLEEVE, 624 MECH	2
2B	B	566205	NUT-5/16-18 HEX NYLON LOCK NUT ZINC	2
2C	B	407305	PEDEL RETURN SPRING, 624 MECH	2
2D	B	566583	SCREW, HEX CAP 1/4-20 X 1 1/2" GRADE 5, ZINC	4
2D	B	566204	NUT-1/4-20 HEX NYLON LOCKNUT ZINC	4
2E	A	400629L	TREND PEDAL BRACKET LEFT, 624 MECH	1
2E	A	400629R	TREND PEDAL BRACKET RT, 624 MECH	1
2F	B	566407	BOLT-1/4-20 X 1 1/4 HEX CAP SCREW GR 5 ZINC	2
2F	B	566306	WASHER-1/4 X 1 FENDER WASHER ZINC	2
2F	B	566204	NUT-1/4-20 HEX NYLON LOCKNUT ZINC	2

NOTES

Note	Description
A	Part is included with above listed KIT - It is NOT recommended that they be sold separate - In some cases they can be.
B	Part is included with above listed KIT & can be ordered as a stand-alone item
	<i>Left & Right is determined - as if sitting in the chair</i>

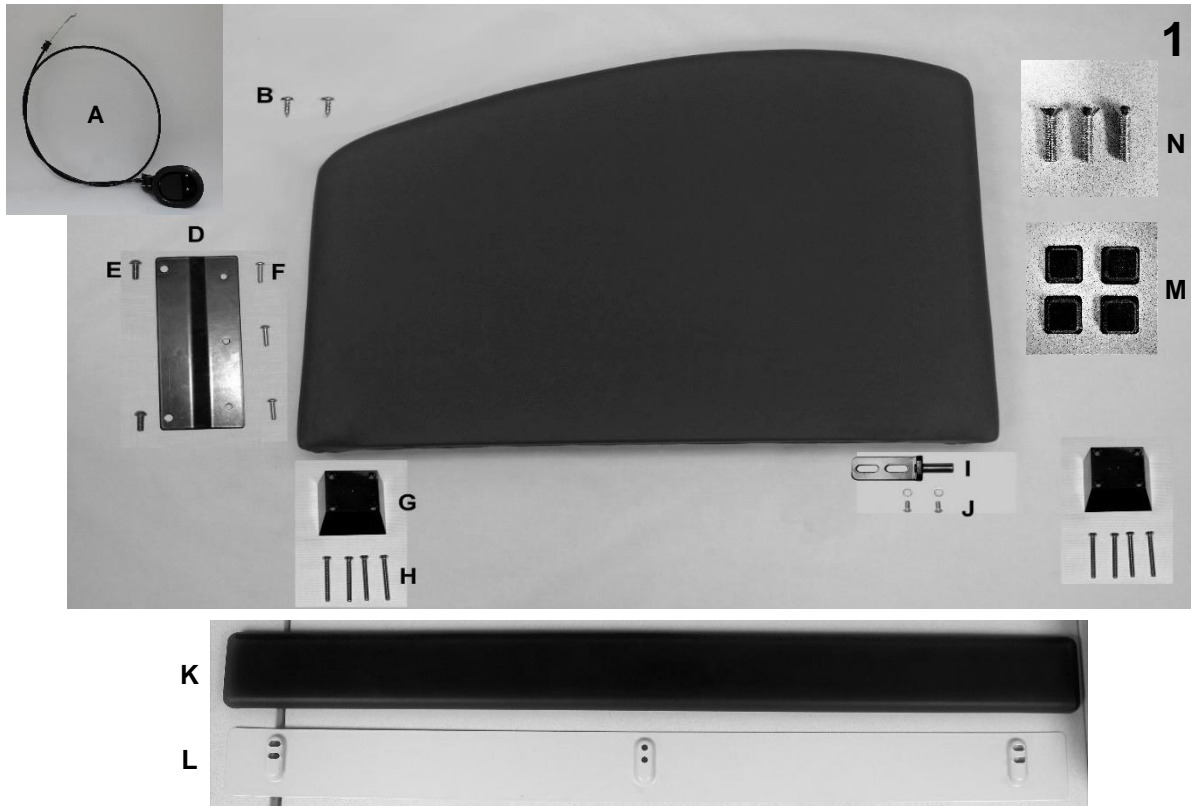


PARTS LIST

Image	Note	Part Number	Description	QTY per
1		205001K	5001 MECH REPLACEMENT KIT	1
1	B	400624	MECH 24" W/ TRENDELENBERG (624 STYLE)	1
1A	B	206272B	GUIDE BRACKET. SEAT, BLACK	2
1A	B	566504	SCREW-MACH 1/4-20 X 3/4 RND PHILLIP M/S ZINC	2
1A	B	566204	NUT-1/4-20 HEX NYLON LOCKNUT ZINC	2
1A	B	566520	MACHINE SCREW, 10-24 X 3/4 FLAT PHILLIP M/S	2
1A	B	566203	NUT-10-24 HEX NYLON LOCK NUT ZINC	2
1B	B	566583	SCREW, HEX CAP 1/4-20 X 1 1/2" GRADE 5, ZINC	4
1B	B	566204	NUT-1/4-20 HEX NYLON LOCKNUT ZINC	4
1C	B	206274B	BRACKET, FRONT SEAT PLATE CLIP, BLACK - KIT	1
1C	B	566504	SCREW-MACH 1/4-20 X 3/4 RND PHILLIP M/S ZINC	2
1C	B	566204	NUT-1/4-20 HEX NYLON LOCKNUT ZINC	2
1D	B	205624K	624 GAS SPRING W/OPERATOR ASSM'D& ADJ'D KIT	1
1D	B	403624	GAS BACK CABLE, 624 MECH	2
1D	B	701020	VINYL CAP W-HOLE, BLACK	1
1D	B	506015	CLEVIS PIN, 3/8 x 1-7/8, 624 MECH	2
1D	B	566002	BOW TIE COTTER PIN .072	2
1D	B	566016	CABLE TIE, 4". BLACK	1
1E	B	260100L	SAFETY SHEILD, PLASTIC, (624 STYLE) LEFT	1
1E	B	260100R	SAFETY SHEILD, PLASTIC, (624 STYLE) RIGHT	1
1E	B	700901	PANEL RETAINER, BLK NYLON .25" H x .375" PT x .700 HD	4
N/A	D	400631	SPRING MEDICAL MECH.	2

NOTES

Note	Description
A	Part is included with above listed KIT - It is NOT recommended that they be sold separate - In some cases they can be.
B	Part is included with above listed KIT & can be ordered as a stand-alone item
C	See page 2 - Image 2 for details
D	Heavy Duty Spring to replace standard spring in the Mechanism. Not included with the kit.

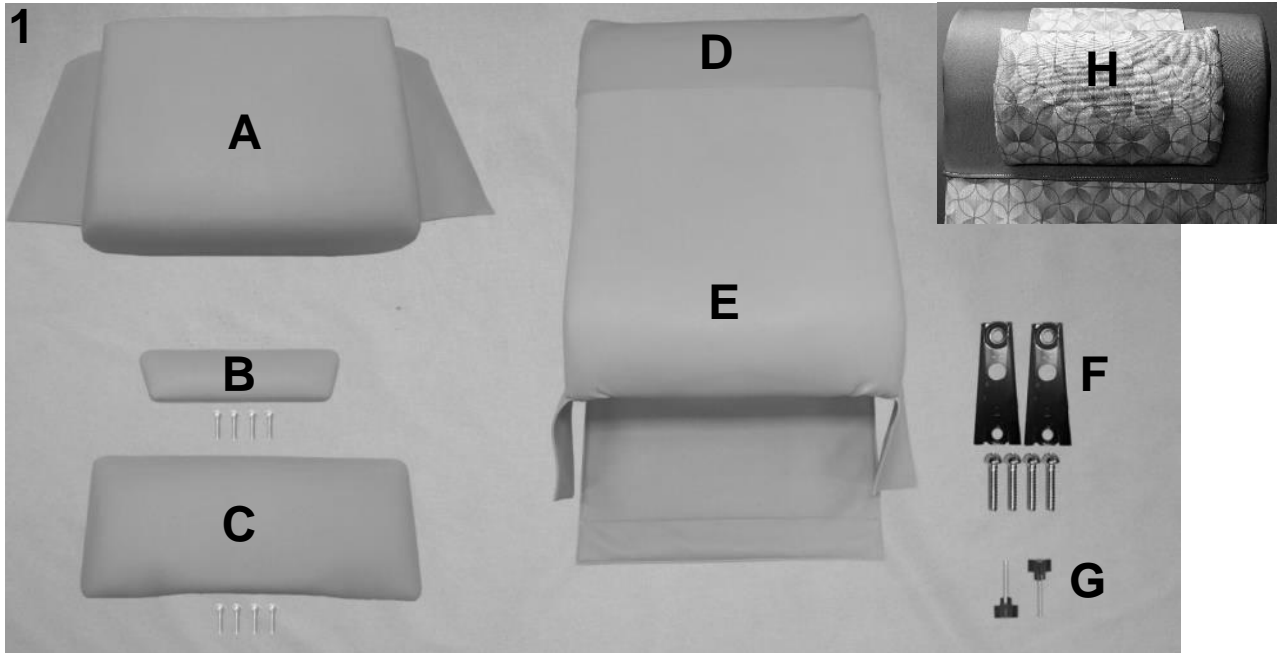


PARTS LIST				
Image Number	Note	Part Number	Description	QTY per Product
1	A	U0410XX	UPHOLSTERED SWING-ARM PANEL LEFT	1
1	A, C	U0510XX	UPHOLSTERED SWING-ARM PANEL RIGHT	1
1	A	U0420XX	UPHOLSTERED SWING-ARM PANEL W/ URETHANE LEFT	1
1	A, C	U0520XX	UPHOLSTERED SWING-ARM PANEL W/ URETHANE RIGHT	1
1A	B	403550	RELEASE HANDLE W/CABLE ASSY 56" (6240)	1
1B	B	566547	10 x 1/2 Pan Phil T/S Z/P	2
1D	B	206276B	ARM MOUNTING PLATE, STATIONARY - BLACK	1
1E	B	566580	5/16-18 X 3/4" BUTTON SOCKET CAP SCREW, SS	2
1F	B	566592	1/4-20 X .88" SOCKET BUTTON HEAD CAP SCREW, ZINC	5
1G	B	600627	BUN FOOT WOOD	2
1H	B	566596	10/24 X 2" PHIL FLATHEAD, M/S, SS	6
1I	B	202740B	LATCH BRACKET ASSEMBLY, PLATED BLACK	1
1J	B	566301	WASHER - 1/4 INT. TOOTH LOCKWASHER ZINC	2
1K	B, D	708040	URETHANE ARM COVER	1
1L	B, D	203692B	MOUNTING PLATE, STEEL	1
1M	B, D	701900	SQ. BUMPER, .078 W/ ADHESIVE, BLACK	4
1N	B, D	566607	1/4-20 X 1" FLAT MACH SCREW, ZINC	3
NOTES			SEE NEXT PAGE FOR IMPORTANT NOTES	



Title:	Augustine Treatment Recliner Parts List	Page 5 of 8
	PL-5001	Effective Date: 06/13/18
		Rev. 05

NOTES	
Note	Description
A	XX- Use color code for specific part number i.e. 02 - Royal Blue
B	Part is included in above listed kits - Part can be ordered seperately.
C	For chairs with "Heat and Massage" or "Heat ONLY Option" see "Heat & Massage Identifiers" below.
D	Used on "Urethane Arm Style" only.
OPTIONS	For replacement parts with TB133 - Add TB after Part Number i.e. U040202 TB
	Use 00 in place of options code if unavailable i.e. U040202 TB00 For Upholstered Back w/ TB & NO HM/HT
	Other Option CODES - IV =IV Pole, RO =Foley Hook,
	<i>Left & Right is determined - as if sitting in the chair</i>
	**Heat & Massage Identifiers
M5	For chairs w/ heat/massage add identifier after TB option i.e. U0207XX TBXX
	**Heat ONLY Identifiers
H5	For chairs w/ heat only add identifier after TB option i.e. U0207XX TBXX



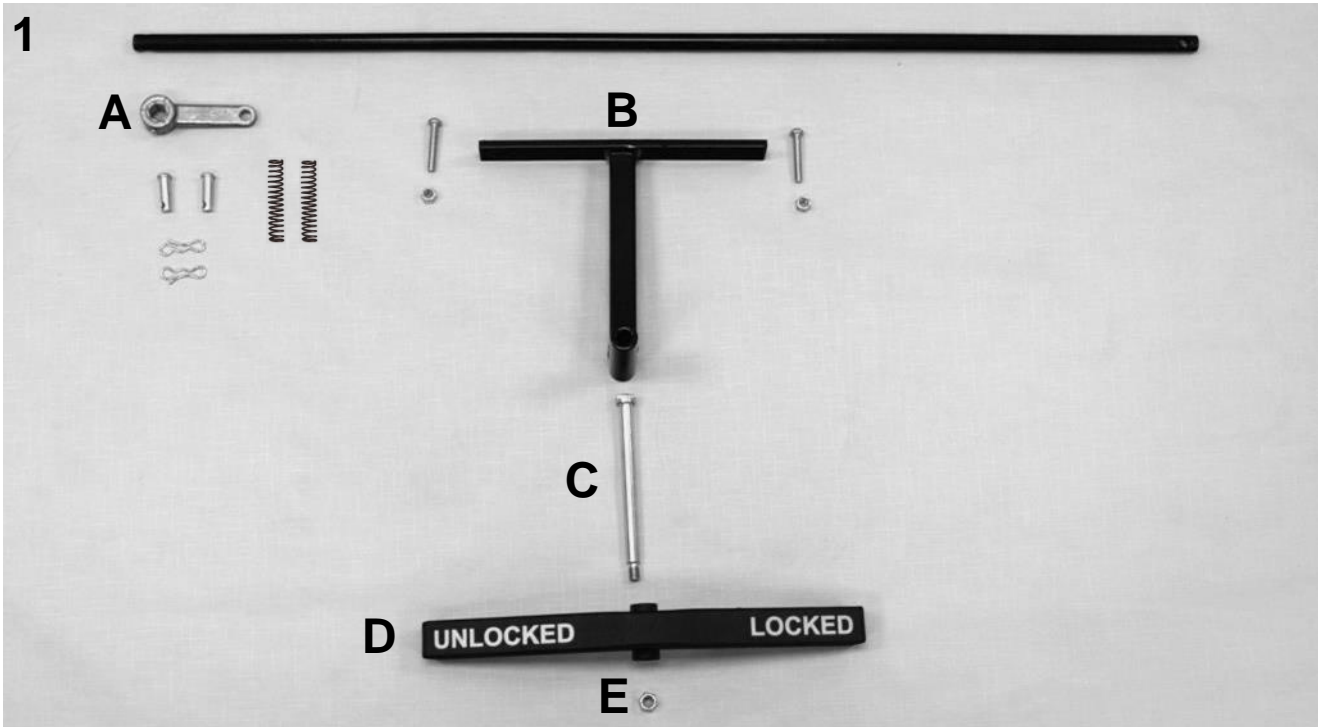
PARTS LIST

Image	Note	Part Number	Description	QTY per
1A	A,C,E	U0313XX	500 UPHOLSTERED SEAT W/ APRONS	1
1B	A,B	U1204XX	500-624 UPHOLSTERED OTTOMAN	1
1B		566511	SCREW-MACH 10-24 X 3/4 PAN PHIL M/S ZINC	4
1C	A,B	U1016XX	500 UPHOLSTERED LEGREST	1
1C		566511	SCREW-MACH 10-24 X 3/4 PAN PHIL M/S ZINC	4
1D		HC24-XX	500-624 HEADREST COVER	1
1E	A,D,E	U0222XX	500 UPHOLSTERED BACK W/ APRONS	1
1F		407019	KD SLEEVE/BRACKET/CLIP - 624	2
1F		566603	1/4-20 X 2.5" HEX CAP SCREW, GRADE 5, ZINC	4
1G		501230	KNOB, PHENOLIC 1/4-20 X 1-1/2 STUD	2
1H	A, D	NP24-XX	HEADREST COVER 6240/5001 CHAIR W/ PILLOW	1

NOTES

Note	Description
A	XX- Use color code for specific part number i.e. 02 - Royal Blue
B	Screws needed to attach this product are included
C	Seat with Heat & Massage option will include tether and cable-ties for installation.
D	HEADREST COVER (1D) is a separate item & is NOT included with the uph. back when ordering
E	For chairs with Heat and Massage or Heat ONLY option see " Heat & Massage Identifiers " below
OPTIONS	For TB133 Add TB after Part Number i.e. U1005XTB
	Use 00 in place of options code if unavailable i.e. U0301XX 00H5 For Upholstered Seat without TB w/ HT
	**Heat & Massage Identifiers
M5	For chairs w/ heat/massage add identifier after TB option i.e. U0207XTB XX
	**Heat ONLY Identifiers
H5	For chairs w/ heat only add identifier after TB option i.e. U0207XTB XX

“BE” – Brake Extension OPTION



PARTS LIST				
Image Number	Note	Part Number	Description	QTY per Product
1		250060K	FRONT BRAKE EXTENSION KIT	1
1A	A	206505B	CONNECTING TUBE W/SLOT, FRONT BRAKE - BLACK	1
1A	A	302015	SPRING, SCREEN ROD	2
1A	A	700510	CHANGE LEVER 65	1
1A	A	566009	5/16 X 1 CLEVIS PIN ZINC CP-84	2
1A	A	566002	BOW TIE COTTER PIN .072	2
1B	A	250025B	WELDED FRONT BRAKE MOUNT	1
1B	A	566204	NUT-1/4-20 HEX NYLON LOCKNUT ZINC	2
1B	A	566546	MACH SCREW 1/4-20 X 1 3/4" ZINC PAN PHIL	2
1C	A	566555	3/8 X 4 1/2, ZINC SKT SHOULDER SCREW	1
1D	A	250060B	WELDED FOOT LEVER, FRONT BRAKE	1
1D	A	700700	SQ 1" RIBBED CAP, BLACK	2
1E	A	566205	NUT-5/16-18 HEX NYLON LOCK NUT ZINC	1
NOTES				
Note	Description			
A	Part is included in above listed kits - Part can be ordered separately.			

For additional options see: **SIDE-TABLE OPTIONS PAGE, HM-HT OPTIONS PAGE, IV POLE OPTIONS PAGE**



Title:	Augustine Treatment Recliner Parts List	Page 8 of 8
	PL-5001	Effective Date: 06/13/18
		Rev. 05

Revision History

REV	Effective Date	CCR Number	Description of Change
01	03/17/17	ECN 15-073	Added new latch bracket PN and image.
02	06/14/17	ECN 17-059	Added 202740B to 624 and 5001 chair models.
03	12/14/17	ECN 17-110	Addition of "Urethane Arm Option" parts.
04	04/23/18	ECN 18-026	Update PN and Pics for Cable Assembly on Page 4.
05	06/13/18	ECN 18-017	Add new PN's and pics for Neck Pillow and Headrest Cover (NP24-XX).